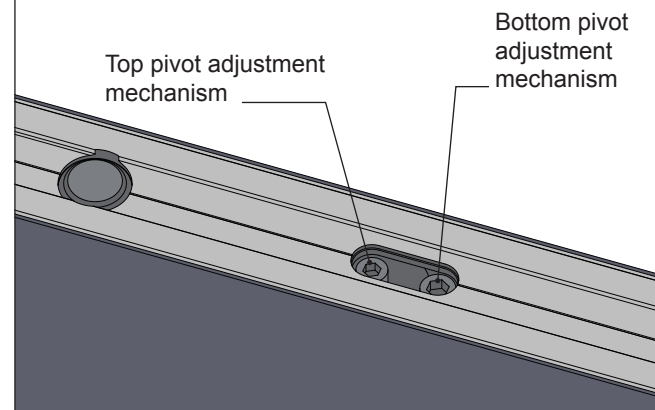


Features

- 1 Lintel (optional)**
Top pivot gear pre-fitted
- 2 CS AluTec Door Leaf**
Sturdy 75mm thick aluminium door available in a large range of finishes. A 38mm door is also available with the manual system.
Maximum door size with no sheet join:
1500 x 3000mm.
Seal carriers are fitted to top and bottom of door. Seals to be fitted are optional and will affect door clearances.
- 3 Door Clearance**
Clearance above and below door is adjustable from 10-20mm
- 4 Bottom Pivot Assembly**
Finished flooring is fitted around the cup and the cap is fitted on top of the finished flooring.
5mm adjustment is available in all directions.

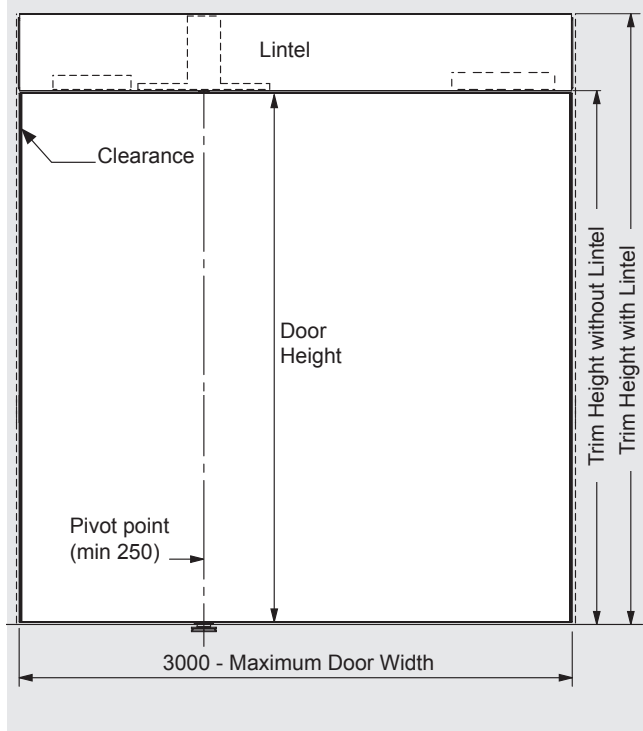
Adjustment

10mm of horizontal adjustment is available to aid installation.



Elevation

Door jamb/ framing not included



How to specify (example)

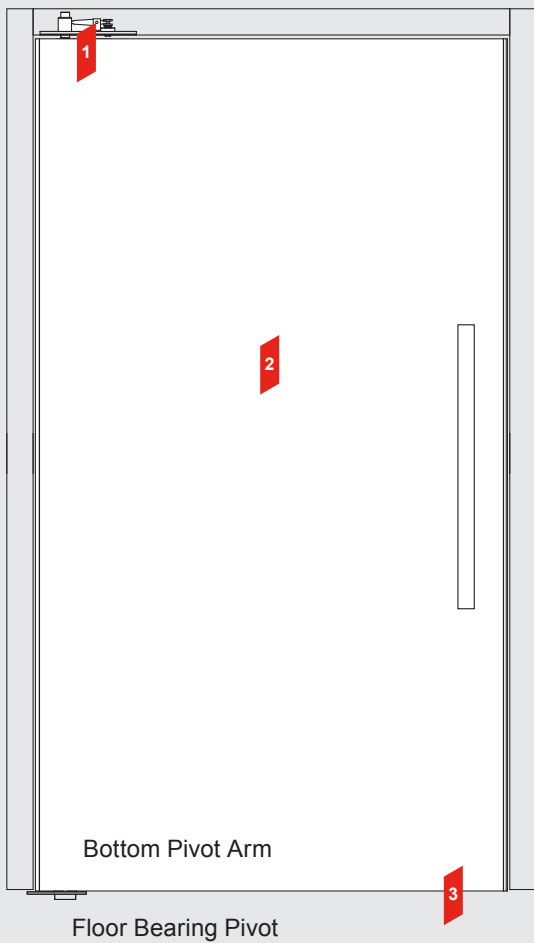
Product:	~ Manual Pivot Door System by CS FOR DOORS
Location:	~ Front entry
Door type:	~ CS AluTec 75mm
Door leaf dimensions:	~ 2.0m high x 1.8m wide
Door & Lintel finish:	~ Matt Black
Handle:	~ D Pull
Pivot location:	~ 300mm

© Cavity Sliders Limited. Drawings are not to scale. All dimensions in mm.

Elevation

Door jamb/ framing not included

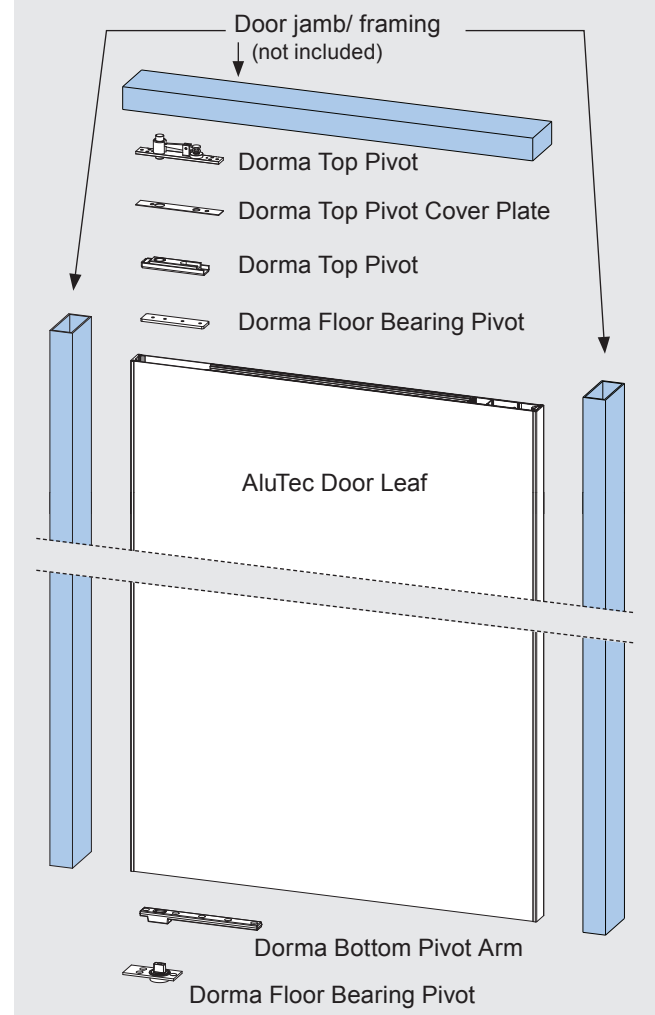
See Detail A



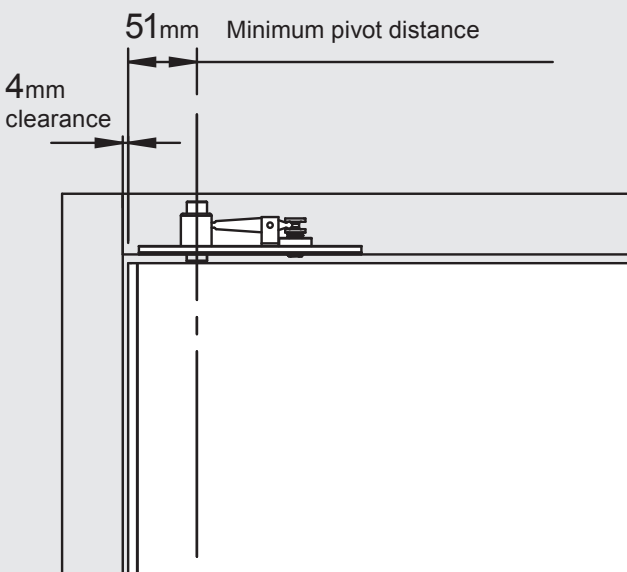
Features

- 1 Pivot gear**
pre-fitted to door
- 2 CS AluTec Door Leaf**
38mm aluminium door up to 200kg.
A wide range of colour options are available.
Maximum door size with no sheet joint:
1500 x 3000mm.
- 3 Door Clearance**
Clearance above and below door is adjustable from
10-20mm

Exploded View



Detail A



How to specify (example)

Product:	~ CS Manual Pivot Door System by CS FOR DOORS
Location:	~ Front entry
Door type:	~ CS AluTec 38mm
Door leaf dimensions:	~ 3.0m high x 1.2m wide
Door finish:	~ Matt White
Pivot Gear:	~ Dorma
Handle:	~ D Pull
Pivot location:	~ 200mm

© Cavity Sliders Limited. Drawings are not to scale. All dimensions in mm.